

Industrial Solid State Contactor

TE10S

**Static switching of resistive loads and
shortwave infrared heating tubes up to 20 kW**

DC input

User Manual

© Copyright Eurotherm Automation 1996

All rights strictly reserved. No part of this document may be stored in a retrieval system, or any form or by any means without prior written permission from Eurotherm Automation SA



EUROPEAN DIRECTIVES

SAFETY

The **TE10S** products installed and used in accordance with this User Manual are designed to comply with the essential protection requirements of the European Low Voltage Directive 73/23/EEC dated 19/02/73 (amended by Directive 93/68/EEC dated 22/07/93).

CE MARK

The CE Mark of **TE10S** products implies that the essential protection requirements of the European Low Voltage Directive are observed. The **TE10S** Technical Construction File is approved by a Notified Body, **LCIE** (Laboratoire Central des Industries Électriques). For further information on CE Mark, please contact your nearest Eurotherm office.

CE DECLARATION OF CONFORMITY

A CE Declaration of Conformity is available on request.

ELECTROMAGNETIC COMPATIBILITY (EMC)

For industrial environments, excluding residential environments

The **TE10S** products are considered as components without any direct function as defined in the EMC Directive. The system or installation in which these products are incorporated must comply with the essential protection requirements of the EMC Directive.

However, Eurotherm certifies that the **TE10S** products, when installed and used in accordance with their User Manual, meets the following EMC test standards and enables the system or installation in which there are installed to comply with the EMC Directive in regards to the **TE10S** products.

EMC TEST STANDARDS

Test		EMC test standards
Immunity	Electrostatic discharge	IEC 1000-4-2 (EN 61000-4-2) - 06/1995
	Fast transients	IEC 1000-4-4 (EN 61000-4-4) - 01/1995
	Radioelectric frequency electromagnetic fields	IEC 801-3 (prEN 61000-4-3) - 1984
Emission	Radiated and Conducted	EN 55011 - 1991
	The choice of the Conducted Emission applicable standard depends on the application : <ul style="list-style-type: none">• EN 50081-2 - 1991 : without external filter (in the 2 phase control for the three-phase application the parallel external filters must be connected between phases, see page 11)• IEC 1800-3 (prEN 61800-3) - 1996 : without external filter. Applies for the second environment	

FILTER EMC

To reduce the conducted emissions that occur when using thyristor units, the EMC **internal** filter is added from April 1996

VALIDATION BY A COMPETENT BODY

In order to guarantee the best service, Eurotherm has validated the compliance of the **TE10S** products with these test standards through design and laboratory tests that have been validated with a Technical Construction File by a competent body, **LCIE** (Laboratoire Central des Industries Électriques).

EMC INSTALLATION GUIDE

In order to help you reduce risks related to the effects of electromagnetic interference depending on the installation of the product, Eurotherm can supply you with the 'EMC Installation Guide' (Part No. HA 025464).

MANUALS IN USE

- This **TE10S/DC User Manual (Part No. HA174780ENG)** applies to TE10S series (DC input) from **December 1995**.
- The TE10S/DC Instructions Part No. HA174207 are valid for products manufactured before this date.

PRECAUTIONS

Read **completely** this Manual before installation. EURO THERM cannot be held responsible for any damage to persons or property, or for any resulting financial loss or cost caused by the inappropriate product use or the failure to observe this manual.

PERSONNEL

The installation, configuration, commissioning and maintenance of the power unit must only be performed by a person **qualified and authorised to perform work in an industrial low voltage electrical environment**.

INDEPENDENT SAFETY

It is the responsibility of the user and it is highly recommended, given the value of the equipment controlled using TE10S, to install **independent safety** devices. This alarm must be tested regularly. Eurotherm can supply suitable equipment.

FURTHER INFORMATION

For any further information and if in doubt, please contact your EURO THERM office where technicians are at your disposal should you require advice or assistance with the commissioning of your installation.

TE10S

Industrial Solid State Contactor for static switching of resistive loads
and shortwave infrared heating tubes up to 20 kW

DC input

CONTENTS

page

Installation and use safety	2
Technical specifications	3
Mounting and dimensions	4
Control Signal	5
Front view	6
Terminals and connectors	7
Single-phase wiring	8
Three-phase wiring	9
2 phase control	9
3 phase control	10
Ordering code	11
Thyristor protection fuse	11
EMC filter (2 phase control)	11
Derating curves	12

INSTALLATION AND USE SAFETY



DANGER !

Failure to take note of the information may have serious consequences for the safety of personnel and may even result in the risk of electrocution.

- Installation and use in a correctly cooled electrical cabinet, with guarantees of protection from condensation and pollution. The cabinet must be closed and connected to safety earth conforming to IEC 364 or applicable National Standards.

It is the user's responsibility to ensure that the installation, wiring and protection of the installation is in accordance with relevant standards and wiring regulations (e.g. VDE 0160).

- Before making any connections or disconnections make sure that the cables and wires are insulated from the supply voltage.
- The earth connection must be connected first and disconnected last.
- Control signal wiring must be kept separate from power cables.
- Disconnect the TE10S completely before dismantling.
- The recommended high speed fuse is only designed to protect the thyristors. It is not a substitute for fuse designed to protect the installation and wiring. Thyristors are not isolating devices. It is necessary to provide an additional protection and isolation to comply with wiring regulations, to allow safe intervention.
- Access to internal parts not allowed to non qualified personnel.
- The temperature of the heatsink may exceed 100°C. Take care when touching the heatsink and protect it from accidental contact during ON state and during 15 min after unit disconnection.

TECHNICAL SPECIFICATIONS

Power

Nominal current	16, 25, 32 or 40 amps (at 45 °C)
Nominal line-to-line voltage	240 Vac (40 to 264 V), 480 Vac (80 à 528 V), 500 Vac (80 à 550 V)
Nominal mains frequency	50 or 60 Hz (± 2 Hz)
Firing mode	Logic firing (ON/OFF). Zero crossing
OFF state leakage current	Typical less than 30 mA

Input

Command signal	Universal DC input (voltage or current) DC signal 5 V and 5 mA (nominal) Polarity insensitive '+' and '-' can be crossed
----------------	--

Environmental

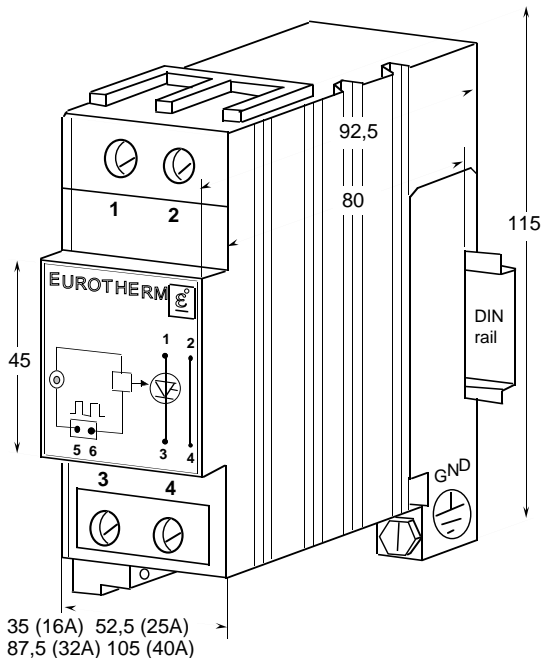
Operating temperature	0 to 60°C , altitude 2,000 m maximum Storage : -10 to 70°C
Atmosphere	Non conductive, non explosive, non corrosive
Humidity	RH : 5 to 95% non condensing
Pollution	Pollution degree 2 (comply with IEC 664)
Isolation (1min factory test)	Main isolation to earth : 2,000 Vac Power to control : 3,600 Vac
Thyristors protection	External fuse, Varistor and RC snubber
Unit protection degree	IP20 (IEC 529 : §11.4 table 5)
Cooling	Air natural convection
Mounting	Vertical on DIN rail
Weight	320g (16A); 500g (25A); 770g (32A); 885g (40 A)

Guarantee

Two years (see your local representative)

As a result of the constant improvement of its products, Eurotherm may modify these specifications without warning. For any further information and if in doubt, please contact your Eurotherm office.

MOUNTING SPECIFICATIONS



Ground continuity. Due to electromagnetic compatibility requirements make sure that TE10S mounting DIN rail is bolted to the metal ground (panel or cabinet) and going on good electrical contact.

INPUT SIGNAL

Command signal

Signal type : DC logic signal.

Universal input :

accepts a voltage or current command signal.

Polarity insensitive, '+' and '-' can be crossed.

ON state :

voltage higher than 5 Vdc and
current higher than 5 mA.

Maximum voltage less than 32 V.

Maximum current (auto limit) :

10 mA at 32 Vdc

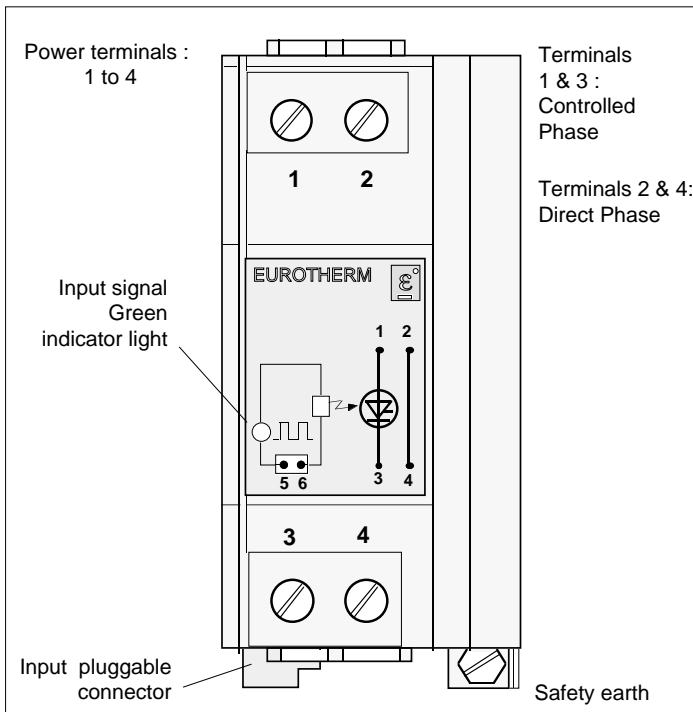
OFF state :

voltage less than 2 Vdc or
current less than 0.5 mA.

Signal indication

Command signal indication by green indicator light
(light emitting diode) on front fascia.

FRONT VIEW



TERMINALS AND CONNECTORS

Power terminals :

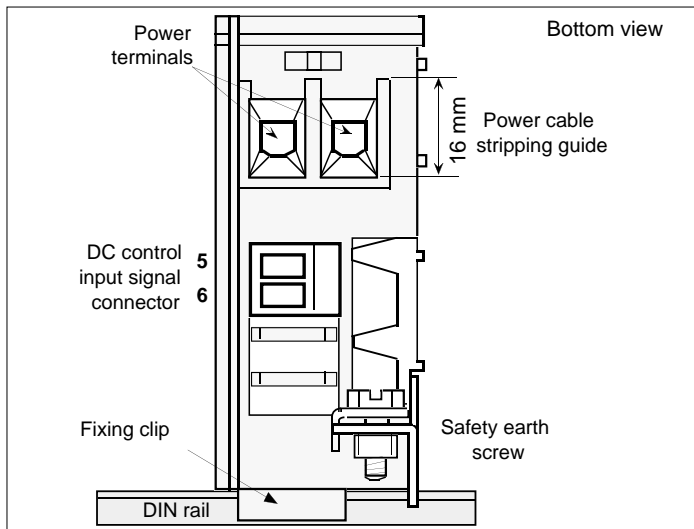
screw for cable 1.5 to 16 mm², cable stripping length 16 mm
tightening torque 1.2 N.m

Safety earth wiring :

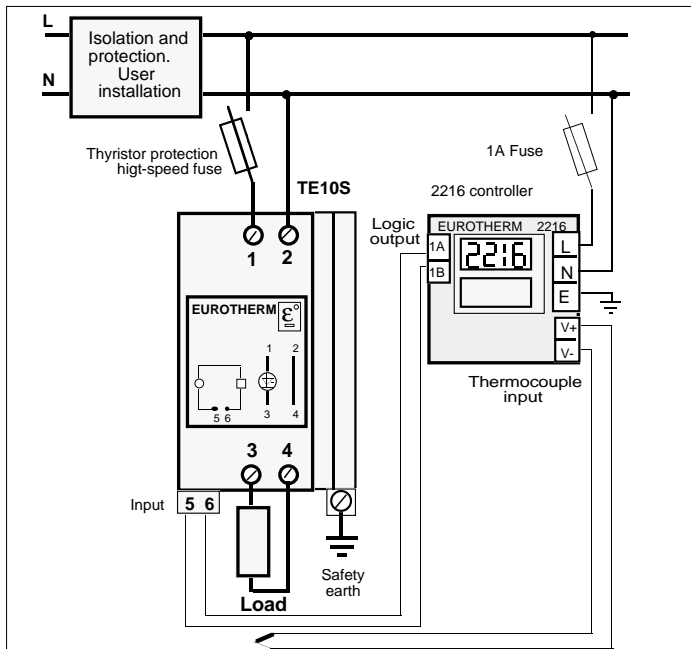
same cable section as power, tightening torque 2 N.m

Input connection: between terminals 5 & 6

Pluggable connector for cable sizes 0.5 to 1.5 mm²
wire stripping length 7 mm, tightening torque 0.4 N.m



SINGLE-PHASE WIRING

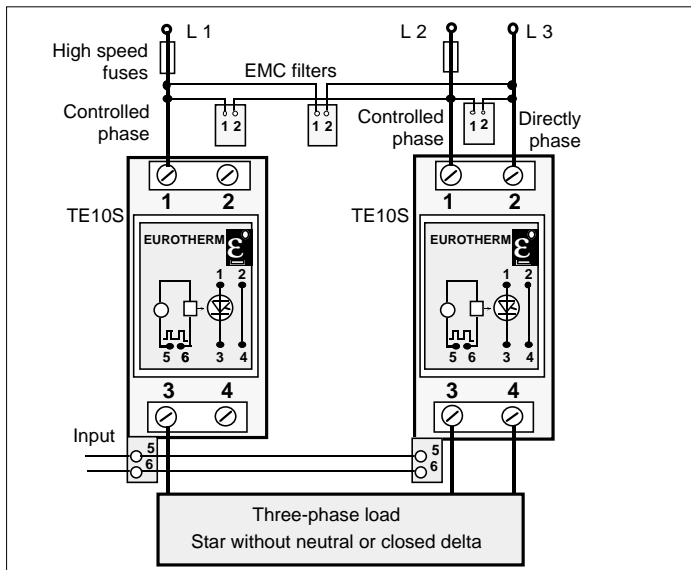


Example of TE10S wiring (DC input, 240V nominal).
Controlled by EUROTHERM 2000 series controller

THREE-PHASE WIRING 2 phase control

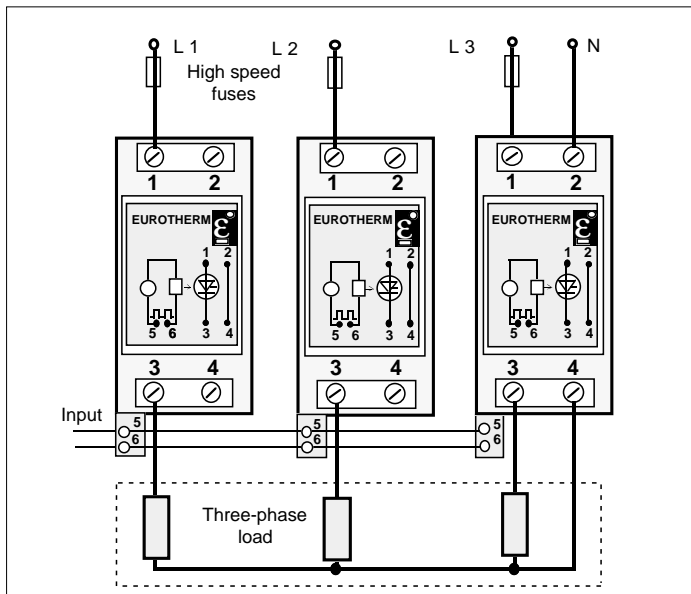
Two TE10S can be used for 2 phase control of a three-phase load (star without neutral or closed delta wiring).

In order to reduce the conducted emission, use of parallel filters is necessary (ordering filter code see page 11). Filters mounted close to TE10S. Filter wiring cable length ≤ 1 m (1.5 mm^2 cable).



3 phase control

The TE10S internal filter gives filtering of conducted emission, to be compliant with the EMC Directive, for the star with neutral and open delta three-phase load wiring.



Example of the 3 phase control, load wiring in star with neutral.

ORDERING CODE

Model	Current code	Voltage code	Input code	End
TE10S	16A 25A 32A 40A	240V 480V 500V	DC logic input: LGC	00

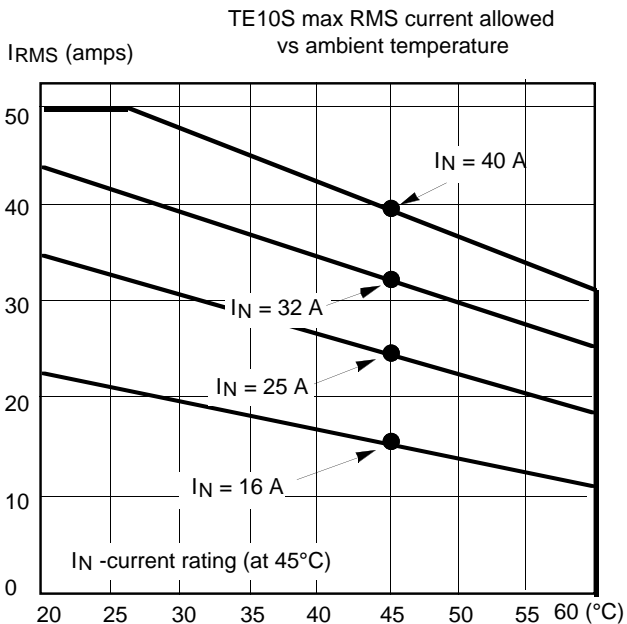
THYRISTOR PROTECTION FUSE

Current range	Fuse rating	Fuse and fuse-holder code
16 A	20 A	FU1038 / 16A / 00
25 A	32 A	FU1038 / 25A / 00
32 A	40 A	FU1451 / 32A / 00
40 A	50 A	FU1451 / 40A / 00

EMC FILTERS (2 phase control of three-phase load)

Nominal voltage	500 Vac maximal
Residual voltage	Less than 10 V (1 s after disconnection)
Dimensions H x W x D	62 x 18 x 57,5 (mm)
Filter code	FILTER / PAR / TE10S / 00

DERATING CURVES



**Solid State Contactors TE10S
Power Controllers TE10A**



EUROTHERM

ADDENDUM

TE10S User Manual Part N°:
HA174780ENG, HA174782ENG,
HA174784ENG, HA175436ENG

TE10A User Manual Part N°:
HA175247ENG, HA175548ENG

**NOMINAL CURRENT UP TO 50 A
and
SHORT WAVE INFRARED APPLICATIONS**

© Copyright Eurotherm Automation S.A. 1997
All rights strictly reserved. No part of this document may be
stored in a retrieval system, or any form or by any means
without prior written permission from Eurotherm Automation
SA.

Part N°. HA175600 ENG - Issue 2.0 - 12/98

TECHNICAL SPECIFICATION

MAXIMUM CURRENT

In order to take into account supply voltage variations and heating element resistance dispersion (all types of heating elements including short wave infrared), a 0.8 safety coefficient must be used on the thyristor unit current rating to determine the maximum value of the load nominal current which the unit can safely control.

SHORT WAVE INFRARED (SWIR) APPLICATIONS

Applications using short wave infrared heaters in Single Cycle, Fast Cycle or Advanced Single Cycle are reserved to 16 A, 25 A and 40 A current rating.

With a safety coefficient of 0.8 the maximum current for SWIR which can be controlled is:

TE10 rating	SWIR maximum controlled current
16 A	13 A
25 A	20 A
40 A and 50 A	32 A

RANGE DIMENSIONS AND WEIGHT

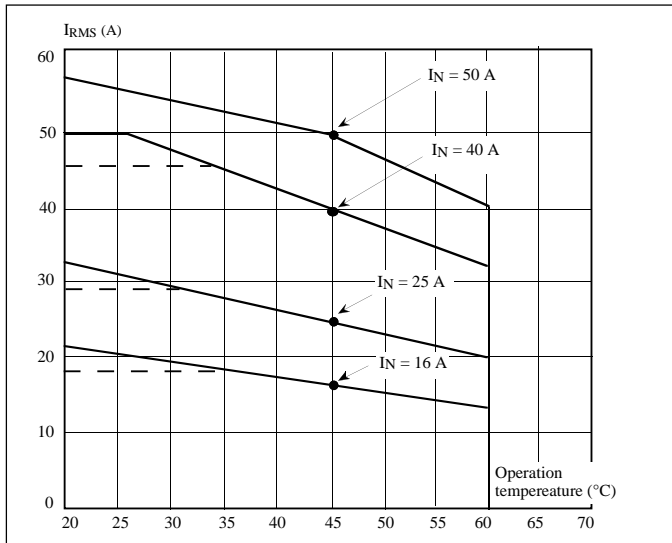
Height 115 mm / Depth 92.5 mm

Models	Nominal current	Width (mm)	Weight (g)
TE10S/DC, TE10S/AC TE10S/PDSIO	16 A	35	350
	25 A	52.5	500
	40 A	87.5	850
	50 A	105	1100
TE10S/PLF TE10A/Burst TE10A/PA	16 A	52.5	550
	25 A	70	700
	40 A	105	900
	50 A	122.5	1200

THYRISTOR PROTECTION FUSE

TE10 rating	Fuse rating	Fuse & fuse-holder	
		Code	Dimensions(mm)
16 A			
25 A	20 A	FU1038/16A/00	81 x 17.5 x 68
40 A	32 A	FU1038/25A/00	81 x 17.5 x 68
50 A	50 A	FU1451/40A/00	95 x 26 x 86
	63 A	FU2258/50A/00	140 x 35 x 90

Attention! For SWIR applications, the high-speed fuse must not be used



Current derating as a fonction of ambient temperature (I_N = nominal current at 45°C)

Dotted line : limit due to recommended fuse